

MODULAR COMPONENTS

OBJECTIVE TUBES WITH TUBE EXTENSION

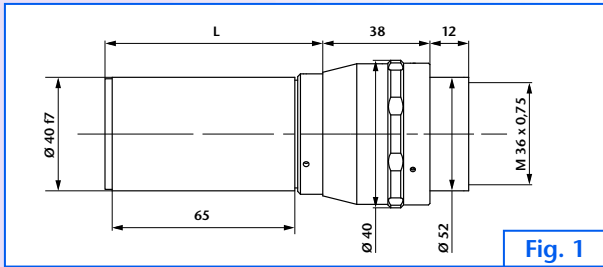


Fig. 1

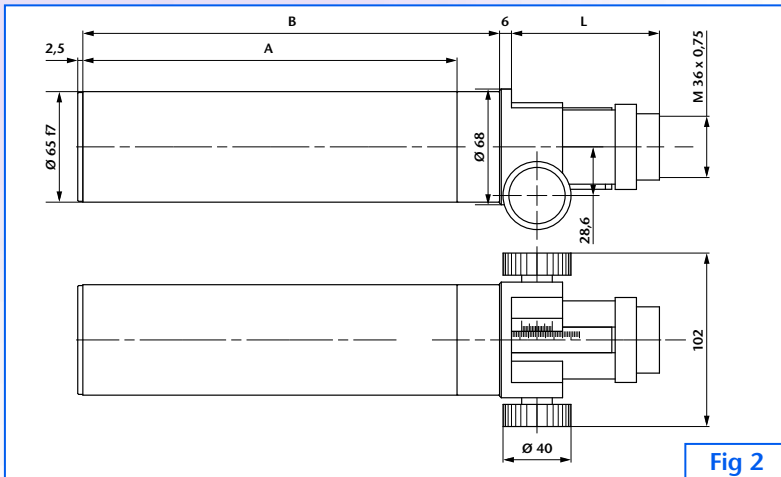


Fig 2

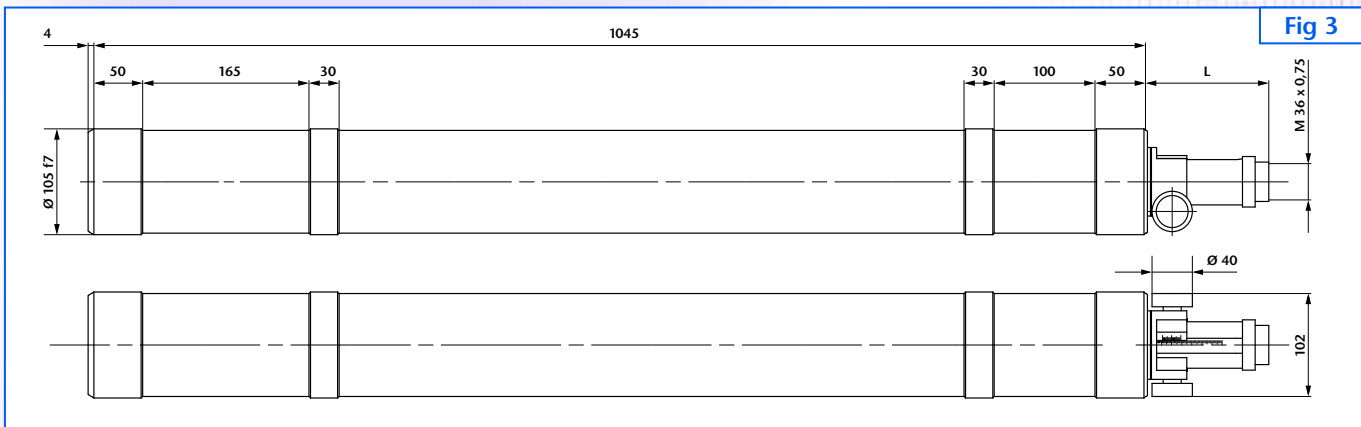


Fig 3

Ord.-No.	Description	Focal length	Free aperture	Tube extension	L	A	B	Fig.
213 101	Objective tube 90/40 ±6	90	16	±6	77±6	-	-	1
213 102	Objective tube 90/40 +12	90	16	+12	71 ⁺¹²	-	-	1
213 103	Objective tube 90/40 -12	90	16	-12	83 ⁻¹²	-	-	1
213 104	Objective tube 140/40 ±6	140	28	±6	77±6	-	-	1
213 105	Objective tube 140/40 +12	140	28	+12	71 ⁺¹²	-	-	1
213 106	Objective tube 140/40 -12	140	28	-12	83 ⁻¹²	-	-	1
213 301	Objective tube 300/65 ±25	300	50	±25	84±25	220	245	2
213 302	Objective tube 300/65 +50	300	50	+50	59 ⁺⁵⁰	220	270	2
213 303	Objective tube 300/65 -50	300	50	-50	109 ⁻⁵⁰	220	220	2
213 304	Objective tube 500/65 ±50	500	50	±50	109±50	310	360	2
213 305	Objective tube 500/65 +100	500	50	+100	59 ⁺¹⁰⁰	310	410	2
213 306	Objective tube 500/65 -100	500	50	-100	159 ⁻¹⁰⁰	310	310	2
213 316	Objective tube 1100/105 ±50	1100	78	±50	212±50	-	-	3
213 317	Objective tube 1100/105 +100	1100	78	+100	212 ⁺¹⁰⁰	-	-	3
213 318	Objective tube 1100/105 -100	1100	78	-100	212 ⁻¹⁰⁰	-	-	3