

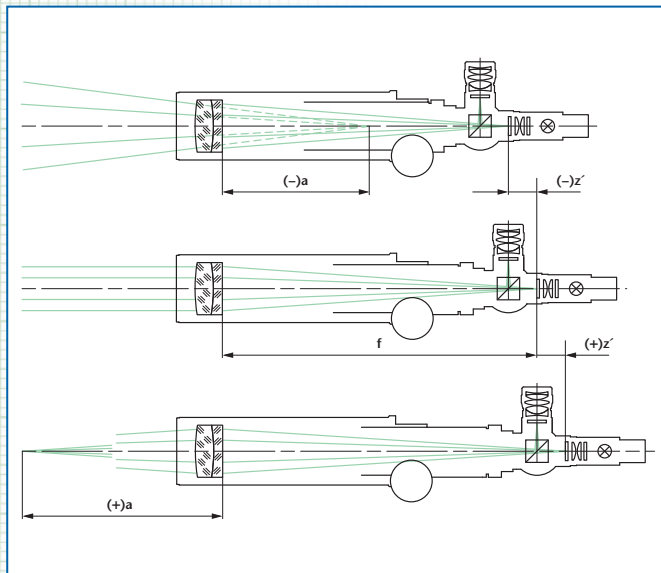
AUTOCOLLIMATORS

FOCUSABLE – 90°-VIEWING

Description:

For a general description of the principle of functioning of focusable autocollimators see page 43.

This autocollimator is equipped with right angle viewing (see page 46).



Notes on ordering:

- Optionally, the autocollimators can be equipped with an eyepiece having 10 mm or 25 mm focal length.
- Two reticles, 6V/5W illumination w/cord, and eyepiece are included.
- The nomenclature of the adjustable autocollimators with 90°-viewing is as follows:

Example: AK R V 90/ 40/ 14,7 ±6

- Autocollimator
- 90° viewing
- Variable
- Focal length
- Tube diameter
- Eyepiece focal length
- Tube extension in mm

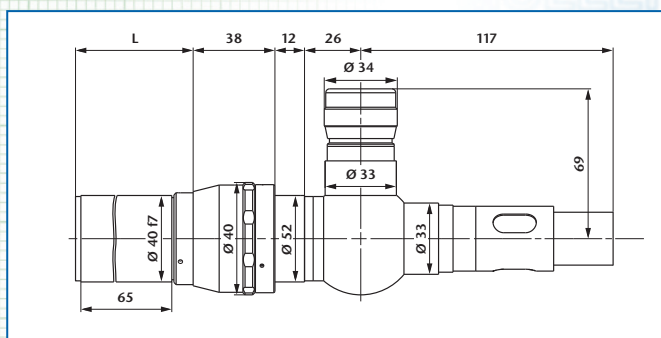
Important:

Please specify collimator reticle and eyepiece reticle (see page 82) as well as illumination (LED-, bulb- or cold light, see page 81) when ordering.

Please specify direction of use if reticles with lettering (e.g. coordinate division etc.) are used so that the lettering will be right-side-up.

Application areas:

- Adjustment of optical and mechanical systems
- Qualitative testing of the imaging properties of optical elements and systems
- Measurement of large radii of curvature
- Infinity adjustment to other wavelengths



Ord.-No.	Description	Focal length	Free aperture	Tube extension	Meas. range	Distance range	L
229 701	AKRV 90/40/14,7/±6	90	16	±6	3,0°	-∞...-1,25 m 1,40 m...+∞	77±6
229 702	AKRV 90/40/14,7/+12	90	16	+12	3,0°	0,80 m...+∞	71 ⁺¹²
229 703	AKRV 90/40/14,7/-12	90	16	-12	3,0°	-∞...-0,60 m	83 ⁻¹²
229 704	AKRV 140/40/14,7/±6	140	28	±6	2,0°	-∞...-3,10 m 3,30 m...+∞	77±6
229 705	AKRV 140/40/14,7/+12	140	28	+12	2,0°	1,70 m...+∞	71 ⁺¹²
229 706	AKRV 140/40/14,7/-12	140	28	-12	2,0°	-∞...-1,40 m	83 ⁻¹²

