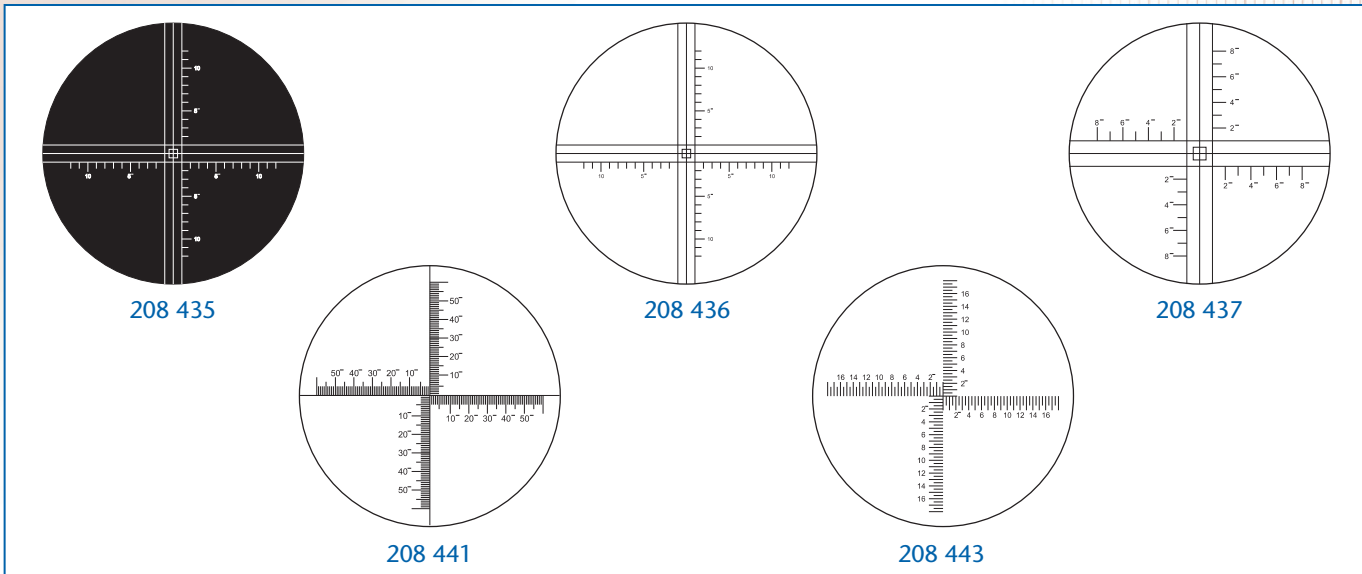


RETICLES WITH LINE GRADUATION



Ord.-No.	Total range of graduation	Range of fine graduation	Smallest interval	To be estimated	For instrument
208 435	$\pm 12''$	$\pm 12''$	1''	0,2''	AK 200
208 436	$\pm 12''$	$\pm 12''$	1''	0,2''	AK 200
208 437	$\pm 8''$	$\pm 8''$	1''	0,2''	AK 300
208 441	$\pm 60''$	$\pm 18''$	0,5''	0,1''	K, F 90
208 443	$\pm 18''$	$\pm 18''$	0,5''	0,1''	K, F 300

DIAPHRAGMS/PINHOLES

Ord.-No.	Description	Remark
208 740	Diaphragm 0,061	corresponds 30'' for AK 140; negative
208 741	Diaphragm 0,122	corresponds 1' for AK 140; negative
208 742	Diaphragm 0,244	corresponds 2' for AK 140; negative
208 743	Diaphragm 0,367	corresponds 3' for AK 140; negative
208 744	Diaphragm 0,489	corresponds 4' for AK 140; negative
208 745	Diaphragm 0,611	corresponds 5' for AK 140; negative
208 750	Diaphragm 0,043	corresponds 10'' for AK 300; negative
208 751	Diaphragm 0,086	corresponds 20'' for AK 300; negative
208 752	Diaphragm 0,131	corresponds 30'' for AK 300; negative
208 753	Diaphragm 0,262	corresponds 1' for AK 300; negative
208 754	Diaphragm 0,526	corresponds 2' for AK 300; negative
208 755	Diaphragm 0,790	corresponds 3' for AK 300; negative
208 791	Diaphragm 0,367	corresponds 3' for AK 140

