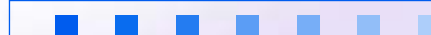
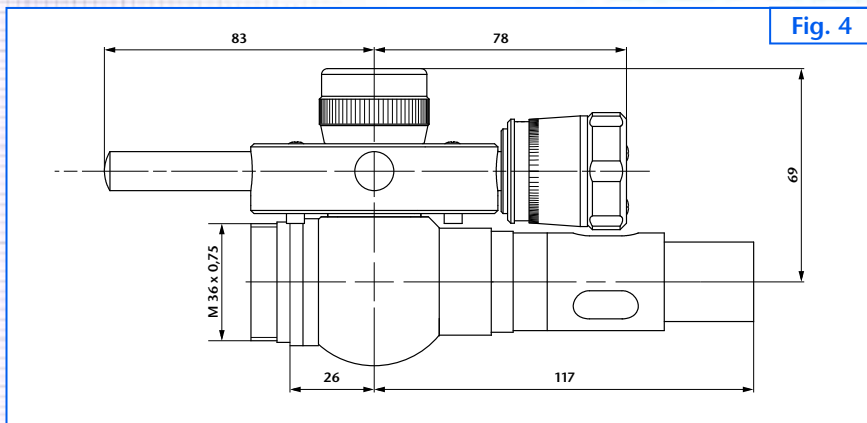
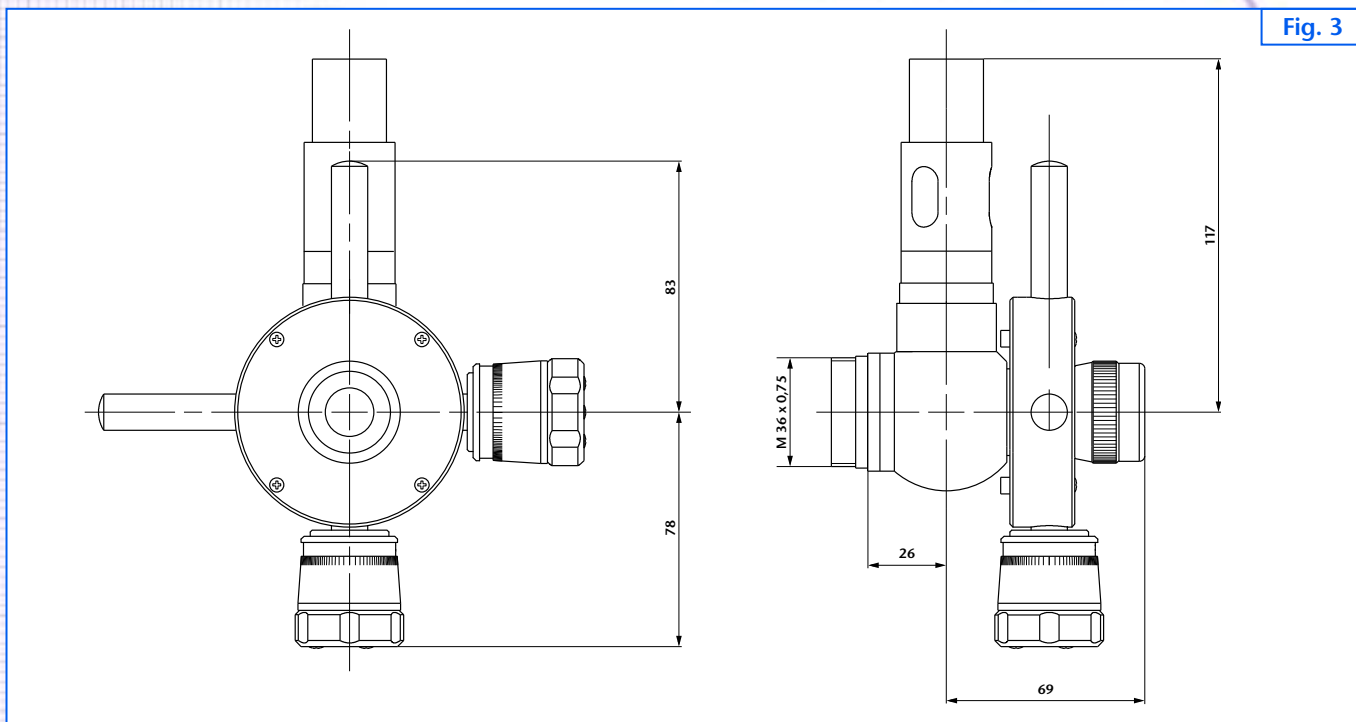
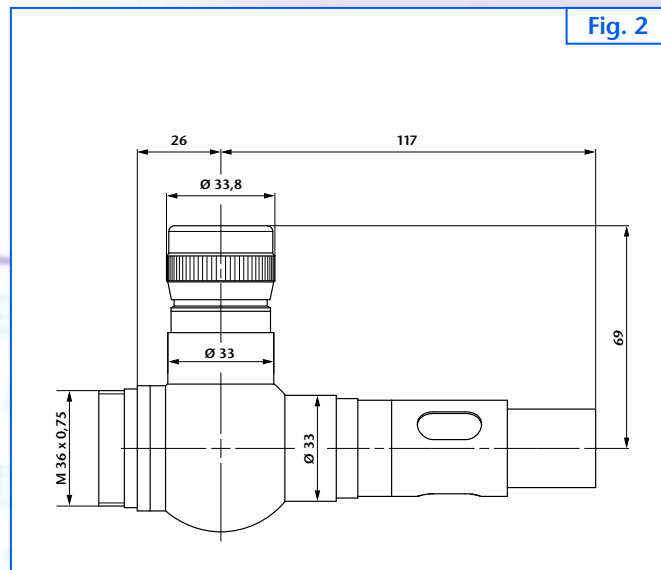
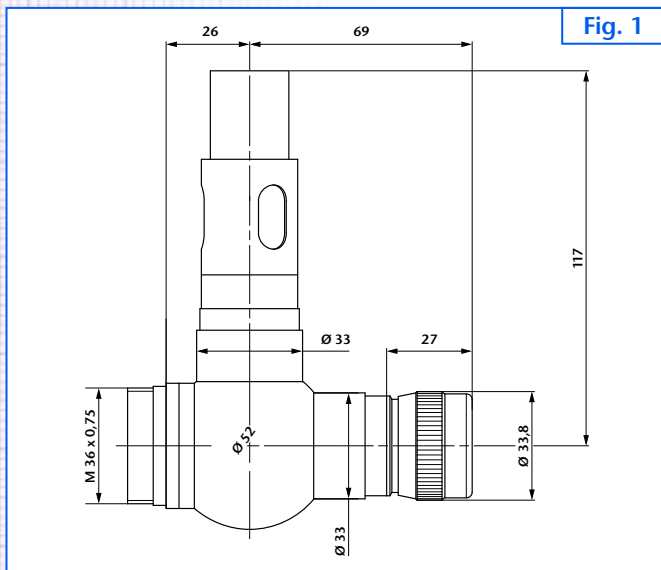


# MODULAR COMPONENTS

## AUTOCOLLIMATION EYEPIECES



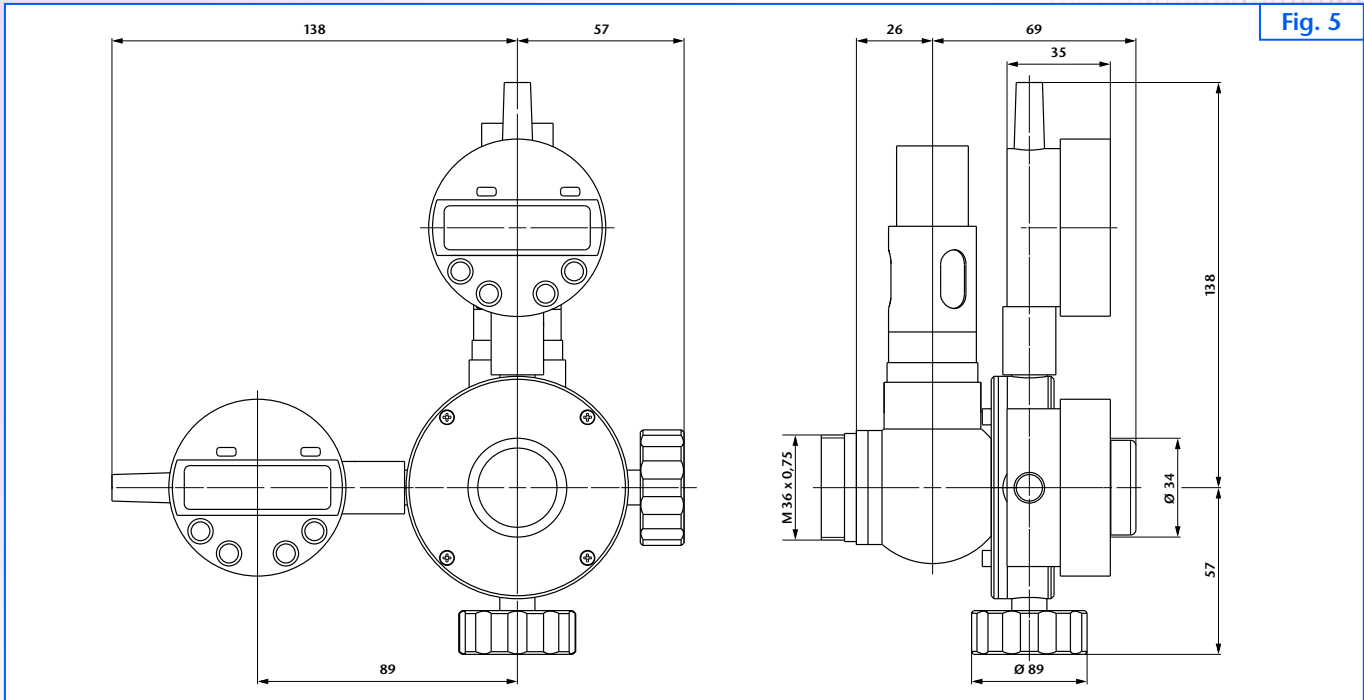


Fig. 5

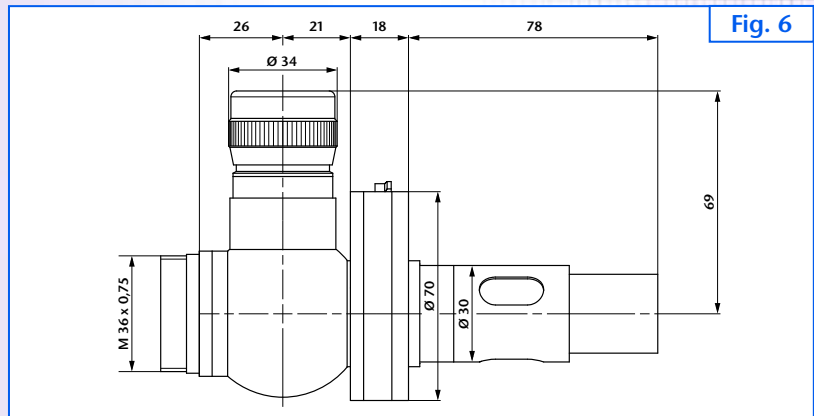


Fig. 6

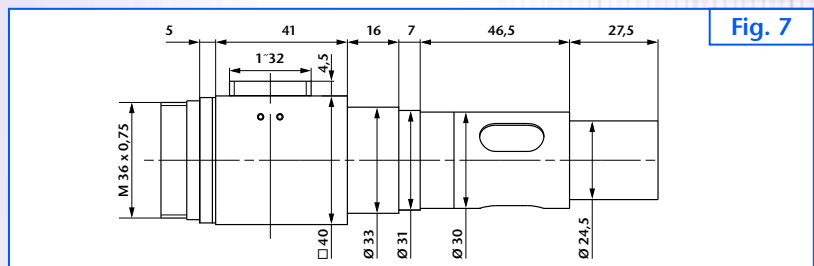


Fig. 7

#### Notes on ordering:

As standard all autocollimation eyepieces are fitted with illumination 6V/5W.

Optionally, the autocollimation eyepieces can be equipped with an eyepiece  $f=10$  mm or  $f=25$  mm. Specify reticles (see page 82) and illumination (see page 81) when ordering.

Ord.-No.	Description	Fig.
219 101	AKG-eyepiece/physical beam splitting/straight viewing/eyepiece $f=14,7$ mm	1
219 035	AKG-eyepiece/geometrical beam splitting/straight viewing/eyepiece $f=14,7$ mm	1
219 120	AKR-eyepiece/physical beam splitting/90°- viewing/eyepiece $f=14,7$ mm	2
219 112	AKG-eyepiece/physical beam splitting/straight viewing/double micrometer/eyepiece $f=14,7$ mm	3
219 125	AKR-eyepiece/physical beam splitting/90°- viewing/double micrometer/eyepiece $f=14,7$ mm	4
219 113	AKG-eyepiece/physical beam splitting/straight viewing/digital double micrometer/eyepiece $f=14,7$ mm	5
219 122	AKR-eyepiece/physical beam splitting/90°- viewing/reticle turret/eyepiece $f=14,7$ mm	6
219 115	AKR-eyepiece/physical beam splitting/90°- viewing/for direct mounting of a CCD-camera with C-Mount	7