

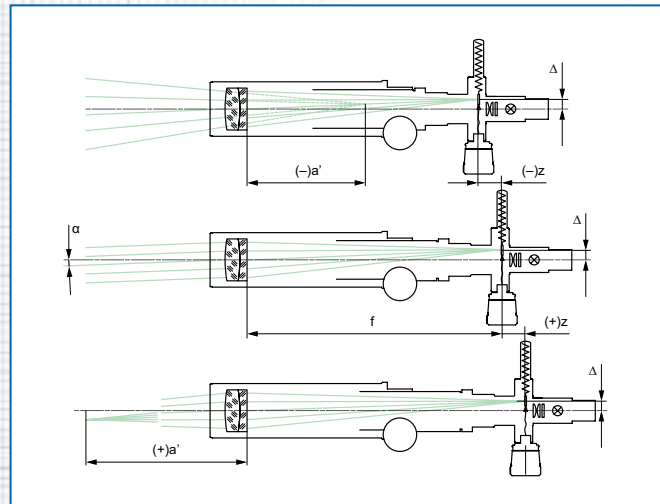
COLLIMATORS

FOCUS ADJUSTABLE – WITH DOUBLE MICROMETER

Description:

For a general description of the operating principle of collimators see page 6.

An adjustable focus collimator with double micrometer allows the setting of defined field angles in two directions and the distance between reticle and collimation objective to be adjusted for measurements made at other than infinity. Additionally, infinity can be set for different wavelengths of light. The scale division (SD) of the micrometer drums is 5 μ m.



Notes on ordering:

Reticle and 6V/5W illumination w/cord are included. The nomenclature of the adjustable focus collimators with double micrometer is as follows:

Example: K V 90/ 40/ ±6 MD

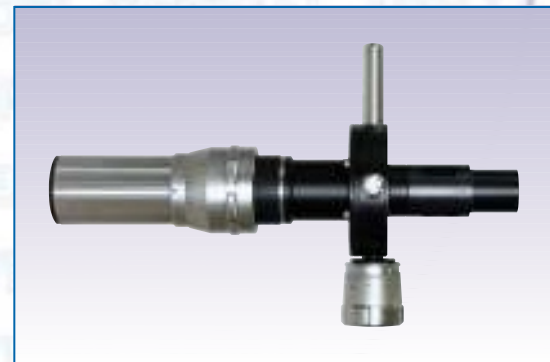
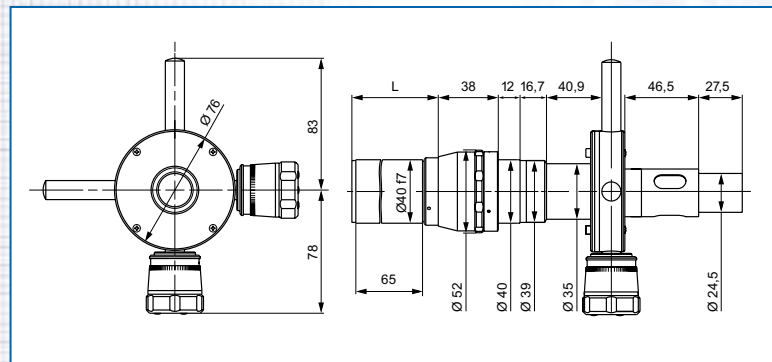
- Collimator ———
- Variable ———
- Focal length ———
- Tube diameter ———
- Tube extension ———
- Double micrometer ———

Important:

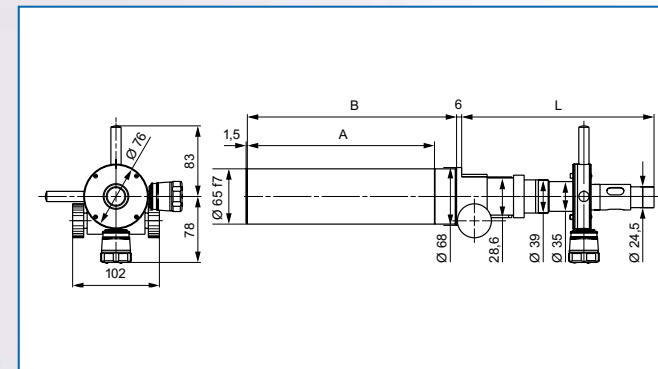
Please specify the reticle (see page 82) and illumination (LED-, bulb- or cold light, see page 81) when ordering.

Application areas:

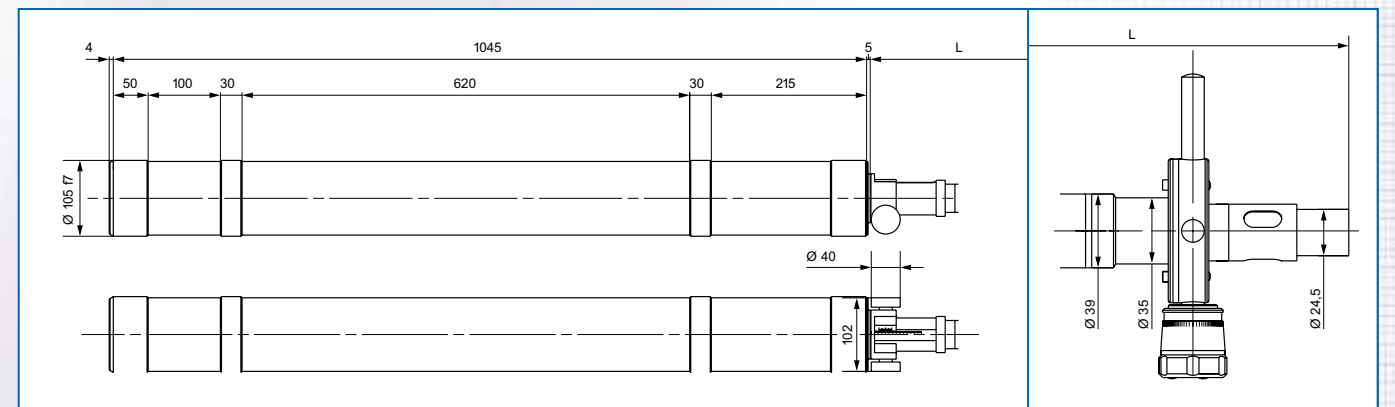
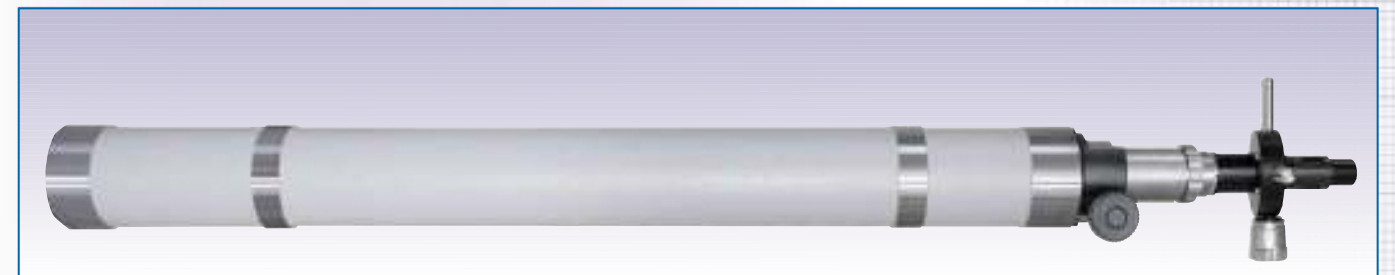
- Testing of distance setting of optical instruments
- Adjustment at different wavelengths of light



Ord.-No.	Description	Focal length	Free aperture	Tube extension	Field of view	SD	Distance range	L
225 801	KV90/40/±6 MD	90	16	±6	2,0°	11,5"	—∞...–1,25 m 1,40 m...+ ∞	77±6
225 802	KV90/40/+12 MD	90	16	+12	2,0°	11,5"	0,80 m...+ ∞	71 ⁺¹²
225 803	KV90/40/ –12 MD	90	16	–12	2,0°	11,5"	—∞...–0,60 m	83 ^{–12}
225 804	KV140/40/±6 MD	140	28	±6	1,2°	7,5"	—∞...–3,10 m 3,30 m...+ ∞	77±6
225 805	KV140/40/+12 MD	140	28	+12	1,2°	7,5"	1,70 m...+ ∞	71 ⁺¹²
225 806	KV140/40/ –12 MD	140	28	–12	1,2°	7,5"	—∞...–1,40 m	83 ^{–12}



Ord.-No.	Description	Focal length	Free aperture	Tube extension	Field of view	SD	Distance range	A	B	L
225 807	KV300/65/±25 MD	300	50	±25	0,6°	3,5"	—∞...–3,4 m 3,8 m...+ ∞	220	245	220±25
225 808	KV 300/65/+50 MD	300	50	+50	0,6°	3,5"	2,1 m...+ ∞	220	270	195 ⁺⁵⁰
225 809	KV 300/65/–50 MD	300	50	–50	0,6°	3,5"	—∞...–1,5 m	220	220	245 ^{–50}
225 810	KV 500/65/±50 MD	500	50	±50	0,4°	2,0"	—∞...–4,5 m 5,4 m...+ ∞	310	360	245±50
225 811	KV 500/65/+100 MD	500	50	+100	0,4°	2,0"	3,0 m...+ ∞	310	410	195 ⁺¹⁰⁰
225 812	KV 500/65/–100 MD	500	50	–100	0,4°	2,0"	—∞...–1,5 m	310	310	295 ^{–100}



Ord.-No.	Description	Focal length	Free aperture	Tube extension	Field of view	SD	Distance range	L
225 816	KV1100/105/±50 MD	1100	78	±50	0,16°	1,0"	—∞...–23,70 m 25,80 m...+ ∞	250±50
225 817	KV1100/105/+100 MD	1100	78	+100	0,16°	1,0"	13,20 m...+ ∞	250 ⁺¹⁰⁰
225 818	KV1100/105/ –100 MD	1100	78	–100	0,16°	1,0"	—∞...–12,00 m	250 ^{–100}