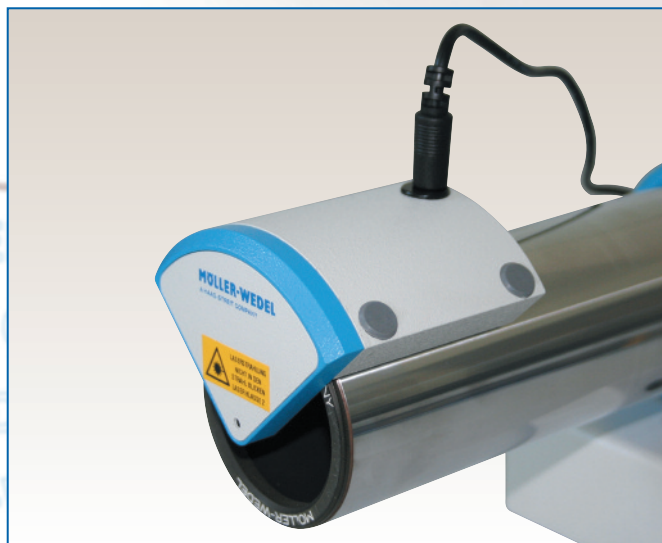
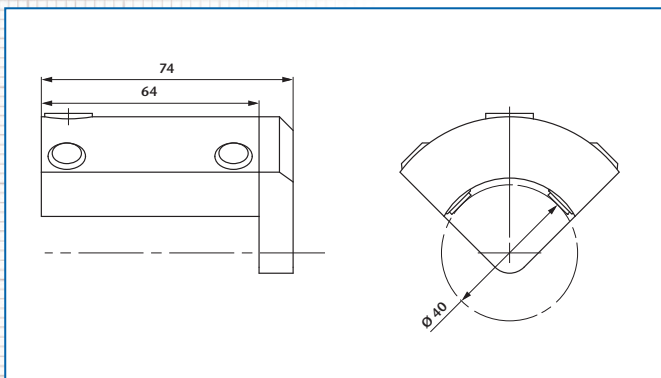


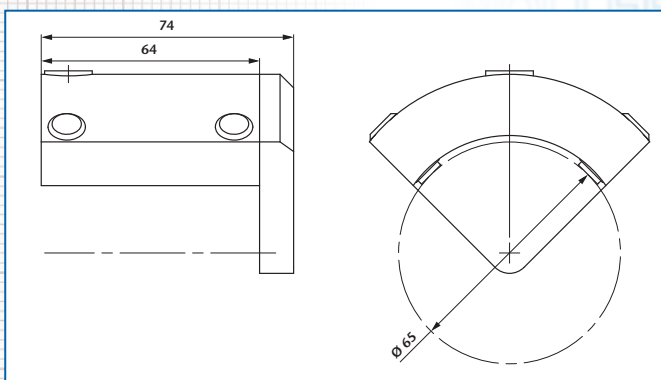
ACCESSORIES

ALIGNMENT AIDS

LASER ATTACHMENT D40



LASER ATTACHMENT D65

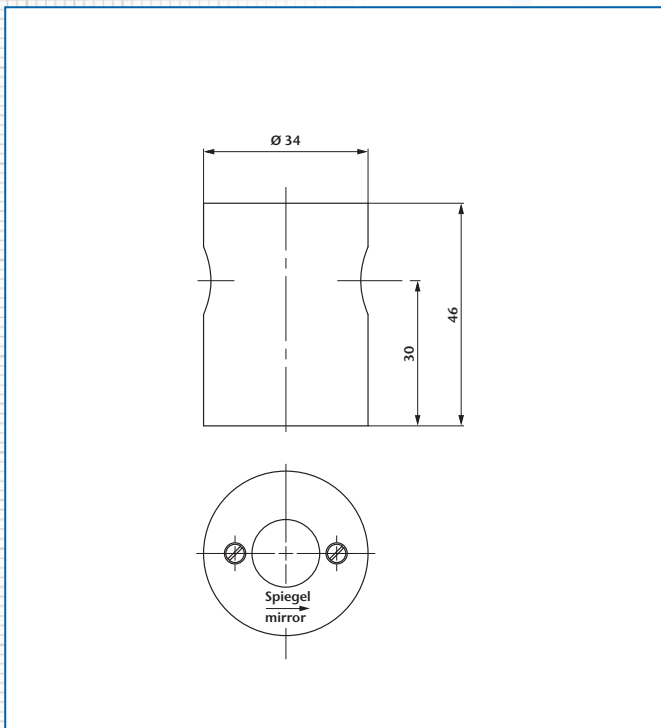


Description:

The laser attachments D40 and D65 are useful for fast coarse alignment of autocollimators. They are especially handy for aligning distant or very small mirrors, polygons and prisms.

Ord.-No.	Description
219 760	Laser attachment D40 with power supply
219 750	Laser attachment D65 with power supply

AC-FINDER PRISM



Description:

Das AC-finder prism is designed for alignment of mirrors with respect to autocollimators at short distances.

Ord.-No.	Description
221 031	AK-finder prism