

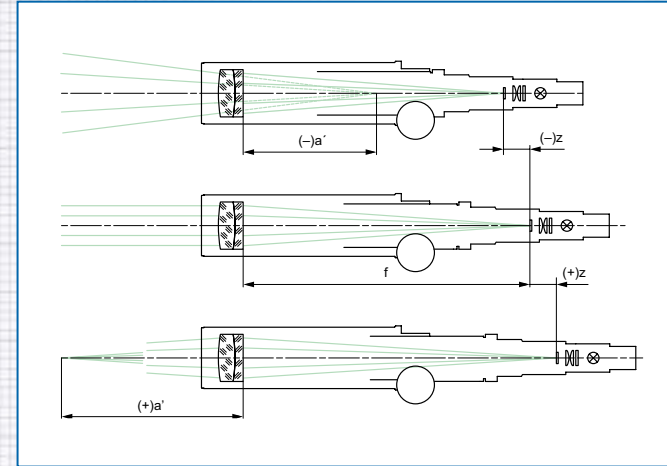
COLLIMATORS

FOCUS ADJUSTABLE

Description:

For a general description of the operating principle of collimators see page 6.

An adjustable focus collimator allows the distance between reticle and collimation objective to be adjusted for measurements made at other than infinity. Additionally, infinity can be set for different wavelengths of light.



Notes on ordering:

One reticle and 6V/5W illumination w/cords are included. The nomenclature of the adjustable focus collimators is as follows:

Example: K V 90/ 40/ ±6

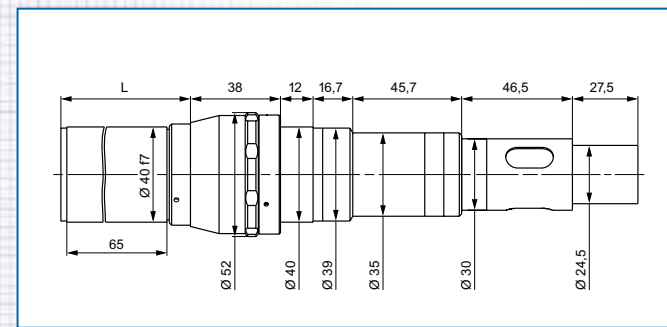
Collimator
Variable
Focal length
Tube diameter
Tube extension in mm

Important:

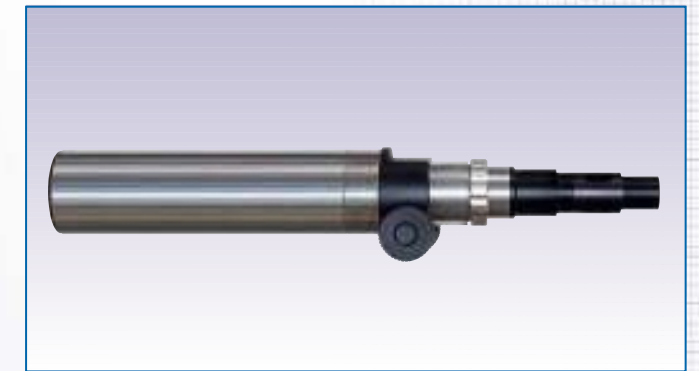
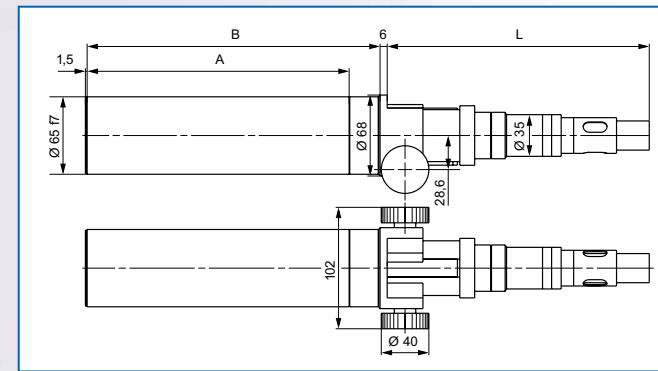
Please specify the reticle (see page 82) and illumination (LED-, bulb- or cold light, see page 81) when ordering.

Application areas:

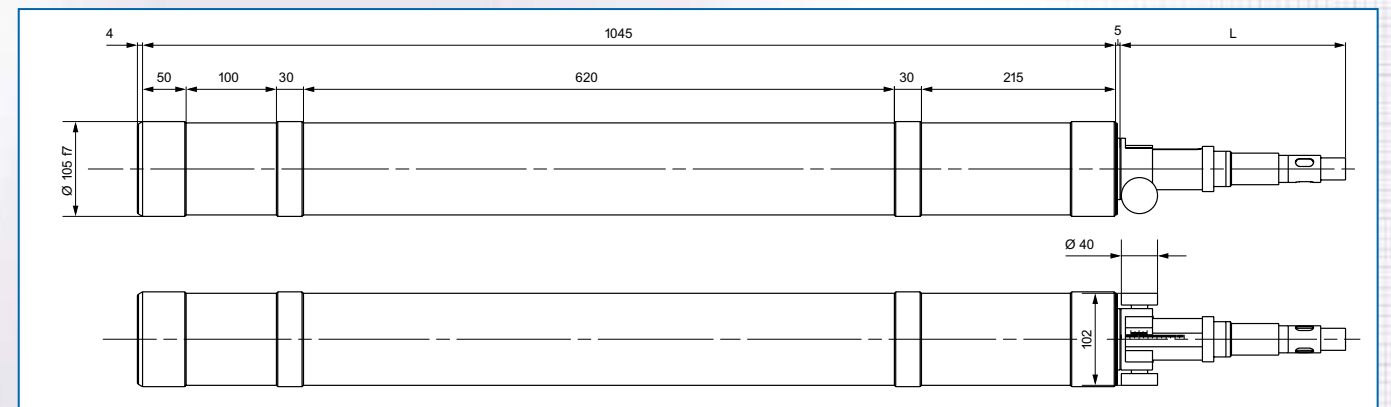
Testing of distance setting of optical instruments
Adjustment at different wavelengths of light



Ord.-No.	Description	Focal length	Free aperture	Tube extension	Field of view	Distance range	L
225 501	KV90/40/±6	90	16	±6	6,0°	-∞...-1,25 m 1,40 m...+ ∞	77±6
225 502	KV90/40/+12	90	16	+12	6,0°	0,80 m...+ ∞	71 ⁺¹²
225 503	KV90/40/ -12	90	16	-12	6,0°	-∞...-0,60 m	83 ⁻¹²
225 504	KV140/40/±6	140	28	±6	4,0°	-∞...-3,10 m 3,30 m...+ ∞	77±6
225 505	KV140/40/+12	140	28	+12	4,0°	1,70 m...+ ∞	71 ⁺¹²
225 506	KV140/40/ -12	140	28	-12	4,0°	-∞...-1,40 m	83 ⁻¹²



Ord.-No.	Description	Focal length	Free aperture	Tube extension	Field of view	Distance range	A	B	L
225 507	KV300/65/±25	300	50	±25	2,0°	-∞...-3,4 m 3,8 m...+ ∞	220	245	220±25
225 508	KV 300/65/+50	300	50	+50	2,0°	2,1 m...+ ∞	220	270	195 ⁺⁵⁰
225 509	KV 300/65/ -50	300	50	-50	2,0°	-∞...-1,5 m	220	220	245 ⁻⁵⁰
225 510	KV 500/65/±50	500	50	±50	1,0°	-∞...-4,5 m 5,4 m...+ ∞	310	360	245±50
225 511	KV 500/65/+100	500	50	+100	1,0°	3,0 m...+ ∞	310	410	195 ⁺¹⁰⁰
225 512	KV 500/65/ -100	500	50	-100	1,0°	-∞...-1,5 m	310	310	295 ⁻¹⁰⁰



Ord.-No.	Description	Focal length	Free aperture	Tube extension	Field of view	Distance range	L
225 516	KV1100/105/±50	1100	78	±50	0,5°	-∞...-23,70 m 25,80 m...+ ∞	250±50
225 517	KV1100/105/+100	1100	78	+100	0,5°	13,20 m...+ ∞	250 ⁺¹⁰⁰
225 518	KV1100/105/ -100	1100	78	-100	0,5°	-∞...-12,00 m	250 ⁻¹⁰⁰