

MODULAR COMPONENTS

RETICLE SLEEVES WITH EYEPIECE

Fig. 1

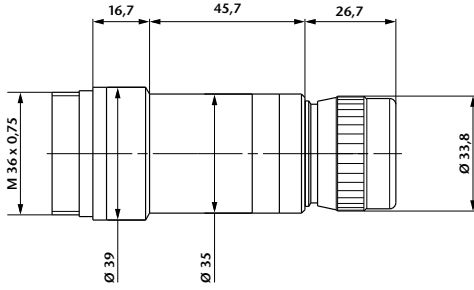


Fig. 2

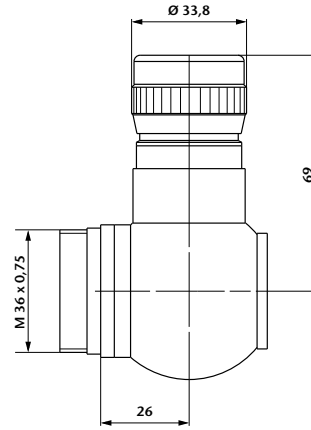


Fig. 3

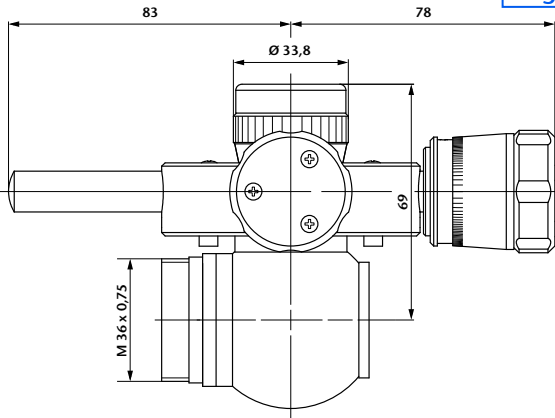


Fig. 4

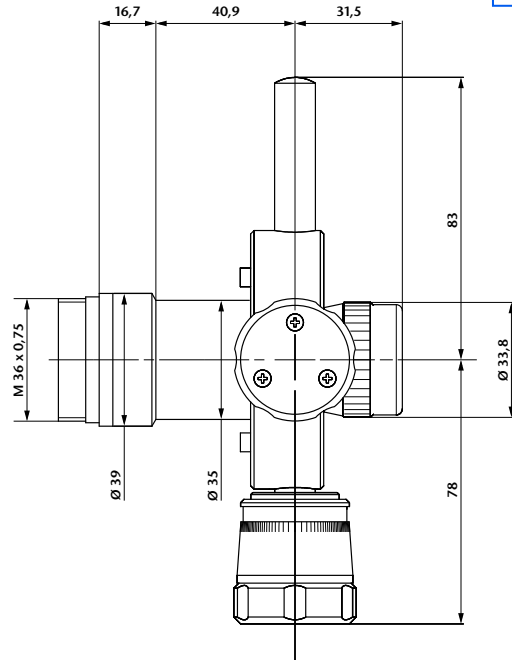
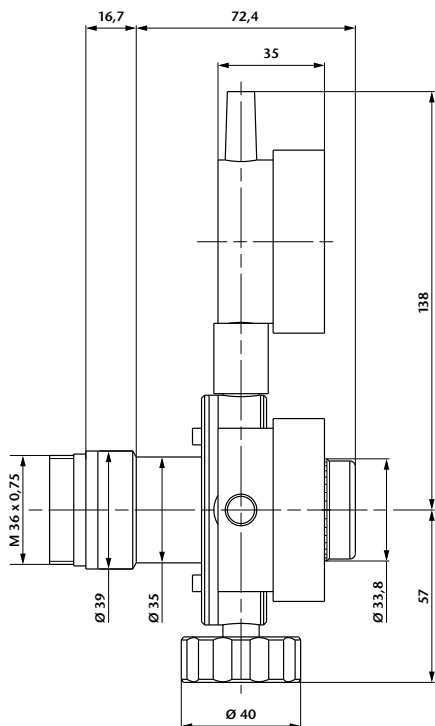


Fig. 5



Notes on ordering:

Instead of eyepiece $f=14,7$ mm eyepieces with $f=10$ mm and $f=25$ mm can be used.

Ord.-No.	Description	Fig.
215 002	Sleeve with reticle	1
217 015	Eyepiece $f=14,7$	
211 545	90°-sleeve with reticle	2
217 015	Eyepiece $f=14,7$	
215 053	90°-sleeve with double micrometer	3
217 015	Eyepiece $f=14,7$	
215 042	Sleeve with double micrometer	4
217 015	Eyepiece $f=14,7$	
215 051	Sleeve with digital double micrometer	5
217 015	Eyepiece $f=14,7$	