

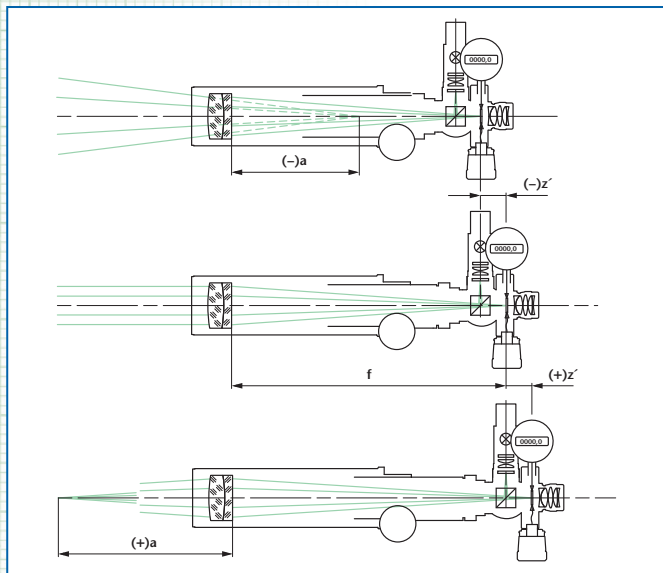
AUTOCOLLIMATORS

FOCUSABLE – STRAIGHT VIEWING WITH DIGITAL DOUBLE

Description:

For a general description of the principle of functioning of focusable autocollimators see page 43.

In place of the micrometer drums above, optionally, programmable digital gauges allow direct reading of the tilting angle in arcsec or mrad.



Notes on ordering:

- Optionally, the autocollimators can be equipped with an eyepiece having 10 mm or 25 mm focal length.
- Two reticles, 6V/5W illumination w/cord, and eyepiece are included.
- Specify the unit of display of the digital gauges (mm, arcsec, milliradians).
- The nomenclature of the adjustable autocollimators with digital double micrometer is as follows:

Example: AK G V 90/ 40/ 14,7 ±6 MDD

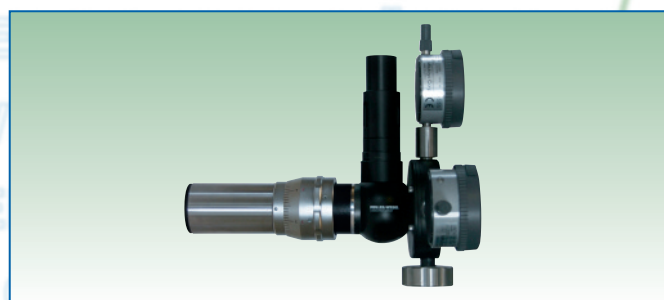
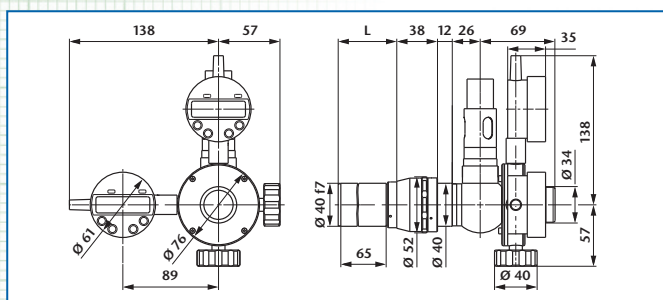
- Autocollimator
- Straight viewing
- Variable
- Focal length
- Tube diameter
- Eyepiece focal length
- Tube extension in mm
- Digital double micrometer

Application areas:

- Measurement of angular tilt
- Adjustment of optical and mechanical systems
- Qualitative testing of the imaging properties of optical elements and systems
- Measurement of large radii of curvature
- Infinity adjustment to other wavelengths

Important:

Please specify collimator reticle and eyepiece reticle (see page 82) as well as illumination (LED-, bulb- or cold light, see page 81) when ordering.



Ord.-No.	Description	Focal length	Free aperture	Tube extension	Meas. range	Resolution	Distance range	L
229 581	AKGV 90/40/14,7/±6 MDD	90	16	±6	3,0°	1,0''	-∞...-1,25 m 1,40 m...+∞	77±6
229 582	AKGV 90/40/14,7/+12 MDD	90	16	+12	3,0°	1,0''	0,80 m...+∞	71 ⁺¹²
229 583	AKGV 90/40/14,7/-12 MDD	90	16	-12	3,0°	1,0''	-∞...-0,60 m	83 ⁻¹²
229 584	AKGV 140/40/14,7/±6 MDD	140	28	±6	2,0°	1,0''	-∞...-3,10 m 3,30 m...+∞	77±6
229 585	AKGV 140/40/14,7/+12 MDD	140	28	-12	2,0°	1,0''	1,70 m...+∞	71 ⁻¹²
229 586	AKGV 140/40/14,7/-12 MDD	140	28	-12	2,0°	1,0''	-∞...-1,40 m	83 ⁻¹²

