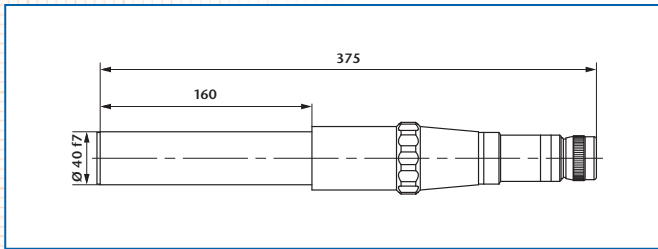


ALIGNMENT SYSTEMS

ALIGNMENT TELESCOPES

WITH STRAIGHT VIEWING



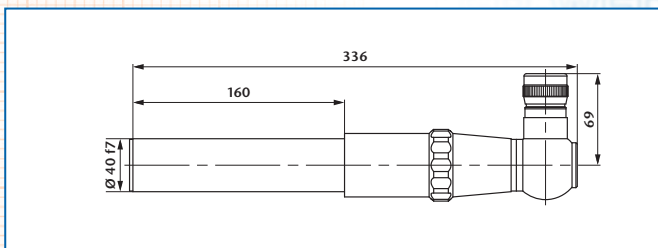
Description:

An alignment telescope with straight viewing has the user's line of sight co-linear with the objective axis. The image of the target appears in the eyepiece focal plane laterally and vertically reverted. These alignment telescopes are preferably used in horizontal direction, where the eyepiece is at eye level.



Ord.-No.	Description
231 701	FFG 300/40/14,7

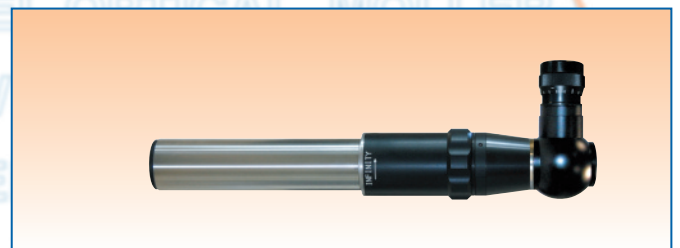
WITH 90°-VIEWING



Description:

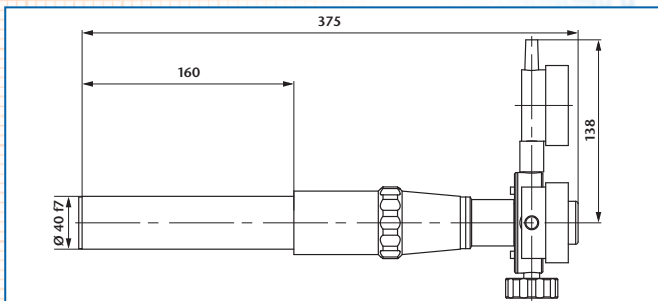
An alignment telescope with 90°-viewing has the user's line of sight at 90° to the objective axis. By a special deflection optic the target image appears in the eyepiece focal plane upright and right-way round.

These alignment telescopes are preferably used down-looking or on optical tables where a straight viewing is not feasible.



Ord.-No.	Description
231 702	FFR 300/40/14,7

WITH STRAIGHT VIEWING AND DIGITAL DOUBLE MICROMETER



Description:

The alignment telescope with digital double micrometer enables to measure the target image displacement in the eyepiece image plane. If the target distance is known, the target displacement can be calculated.



Ord.-No.	Description
231 711	FFG 300/40/14,7 MDD