

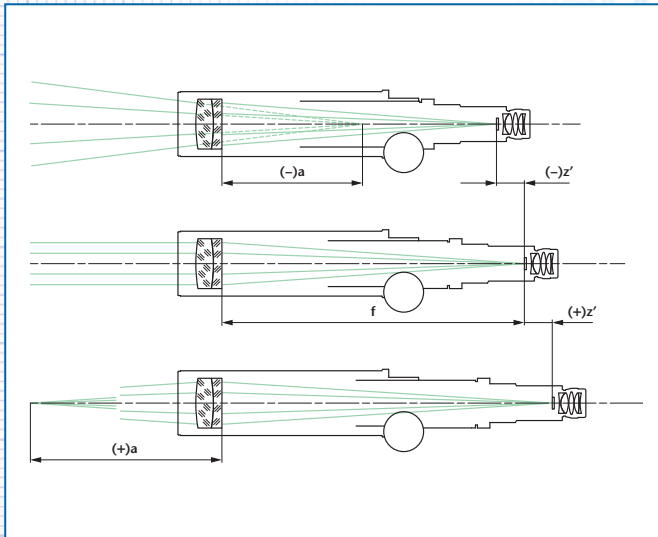
TESTING TELESCOPES

FOCUS ADJUSTABLE – WITH STRAIGHT VIEWING

Description:

For a general description of the operating principle of testing telescopes see page 20.

An adjustable focus telescope allows the distance between reticle and telescope objective to be adjusted for measurements made at other than infinity. Additionally, infinity can be set for different wavelengths of light.



Notes on ordering:

- Testing telescope eyepiece is commonly $f=14,7$ mm but can be equipped with eyepieces $f=25$ mm or $f=10$ mm on request.
- One reticle and one eyepiece are included in the standard instrument.
- The nomenclature of the focus adjustable telescope with straight viewing is as follows:

Example: F G V 90/ 40/ 14,7 ±6

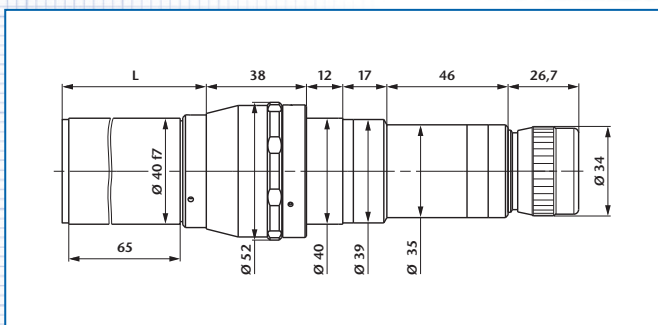
- Testing telescope
- Straight viewing
- Variable
- Focal length
- Tube diameter
- Eyepiece focal length
- Tube extension in mm

Important:

Please specify reticle (see page 82) when ordering.

Application examples:

- Adjustment of optical and mechanical systems
- Qualitative testing of image quality of optical elements and systems (additional collimator required)
- Testing at different wavelengths of light



Ord.-No.	Description	Focal length	Free aperture	Tube extension	Field of view	Distance range	L
227 501	FGV 90/40/14,7/±6	90	16	±6	6,0°	-∞...-1,25 m 1,40 m...+∞	77±6
227 502	FGV 90/40/14,7/+12	90	16	+12	6,0°	0,80 m...+∞	71 ⁺¹²
227 503	FGV 90/40/14,7/-12	90	16	-12	6,0°	-∞...-0,60 m	83 ⁻¹²
227 504	FGV 140/40/14,7/±6	140	28	±6	4,0°	-∞...-3,10 m 3,30 m...+∞	77±6
227 505	FGV 140/40/14,7/+12	140	28	+12	4,0°	1,70 m...+∞	71 ⁺¹²
227 506	FGV 140/40/14,7/-12	140	28	-12	4,0°	-∞...-1,40 m	83 ⁻¹²

