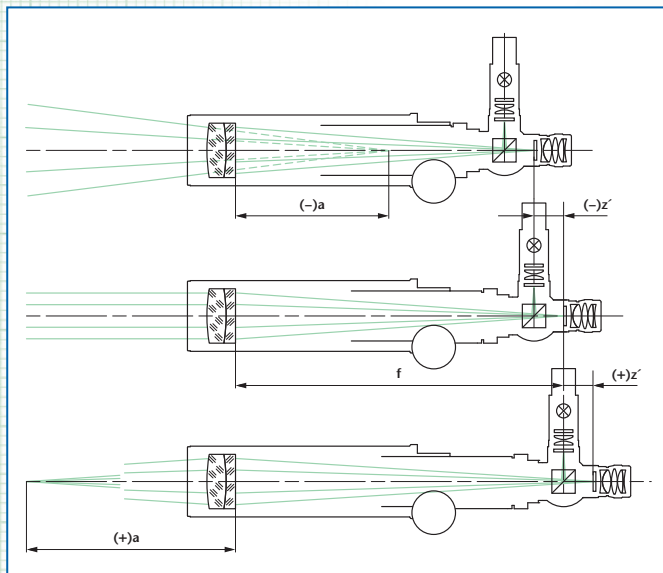


AUTOCOLLIMATORS

FOCUSABLE – STRAIGHT VIEWING

Description:

For a general description of the principle of functioning of focusable autocollimators see page 43.



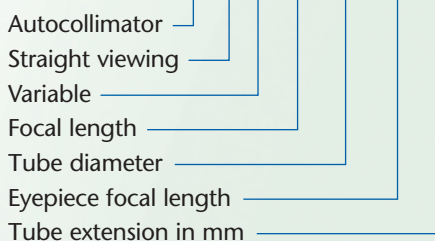
Application areas:

- Measurement of angular tilt
- Qualitative testing of the imaging properties of optical elements and systems
- Measurement of large radii of curvature
- Infinity adjustment to other wavelengths

Notes on ordering:

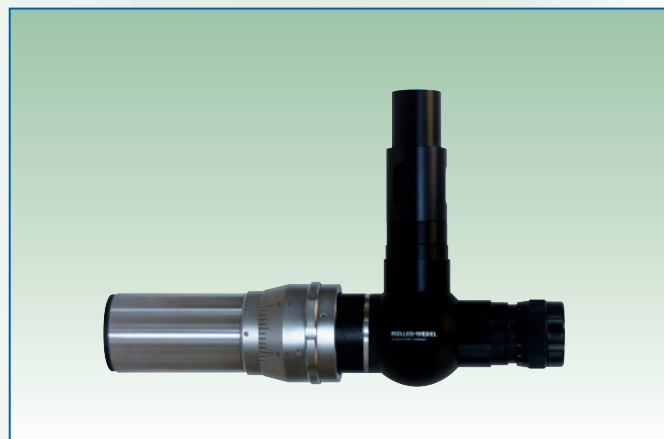
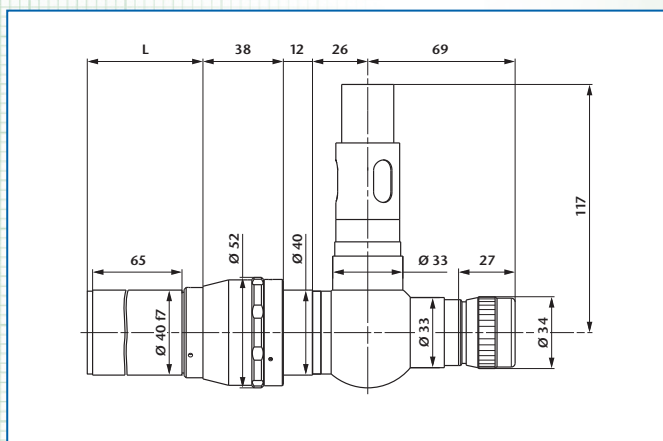
- Optionally, the autocollimators can be equipped with an eyepiece having 10 mm or 25 mm focal length.
- Two reticles, 6V/5W illumination w/cord, and eyepiece are included.
- The nomenclature of the adjustable autocollimators with straight viewing is as follows:

Example: AK G V 90/ 40/ 14,7 ±6



Important:

Please specify collimator reticle and eyepiece reticle (see page 82) as well as illumination (LED-, bulb- or cold light, see page 81) when ordering.



Ord.-No.	Description	Focal length	Free aperture	Tube extension	Meas. range	Distance range	L
229 501	AKGV 90/40/14,7/±6	90	16	±6	3,0°	-∞...-1,25 m 1,40 m...+∞	77±6
229 502	AKGV 90/40/14,7/+12	90	16	+12	3,0°	0,80 m...+∞	71 ⁺¹²
229 503	AKGV 90/40/14,7/-12	90	16	-12	3,0°	-∞...-0,60 m	83 ⁻¹²
229 504	AKGV 140/40/14,7/±6	140	28	±6	2,0°	-∞...-3,10 m 3,30 m...+∞	77±6
229 505	AKGV 140/40/14,7/+12	140	28	+12	2,0°	1,70 m...+∞	71 ⁺¹²
229 506	AKGV 140/40/14,7/-12	140	28	-12	2,0°	-∞...-1,40 m	83 ⁻¹²

