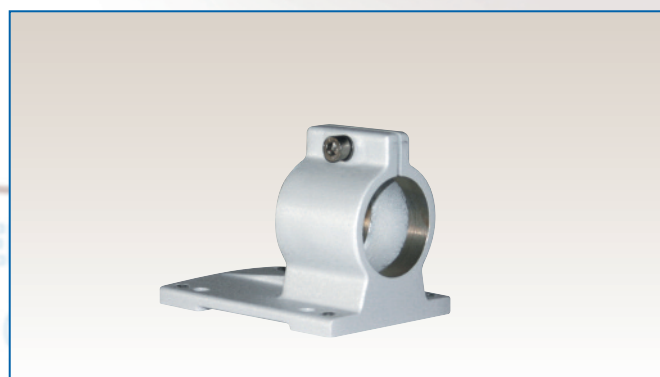
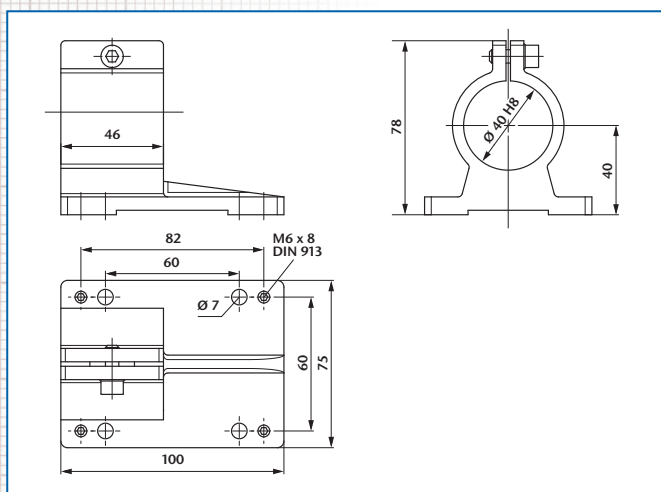


# ACCESSORIES

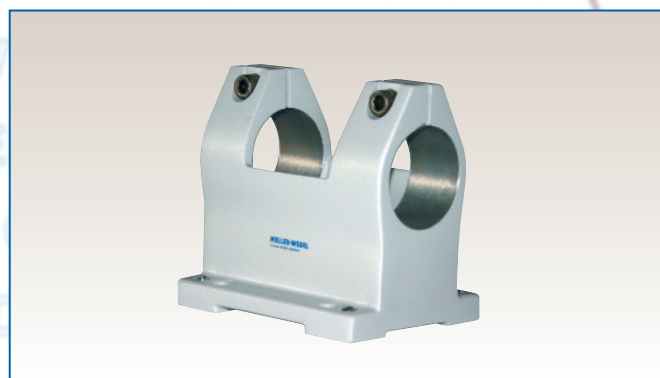
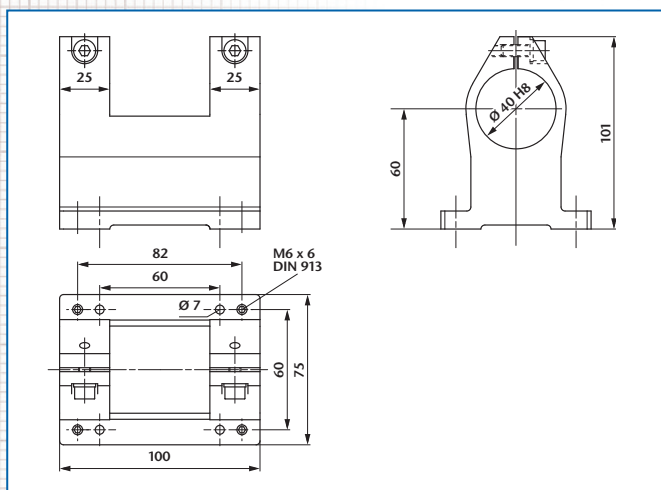
## FIXTURES

### CLAMP FIXTURE D40/ONE-SIDED



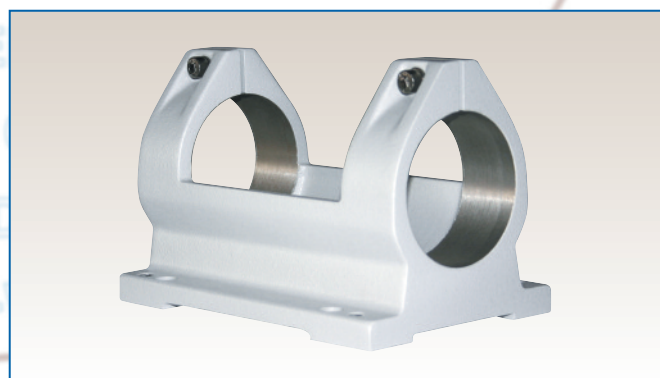
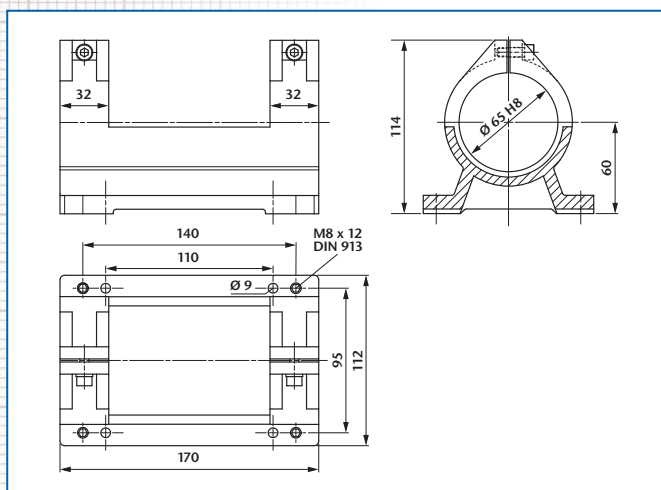
Ord.-No.	Description
223 002	Clamp fixture D40/one-sided

### CLAMP FIXTURE D40/DOUBLE-SIDED



Ord.-No.	Description
223 008	Clamp fixture D40/double-sided

### CLAMP FIXTURE D65/DOUBLE-SIDED



Ord.-No.	Description
223 003	Clamp fixture D65/double-sided

