

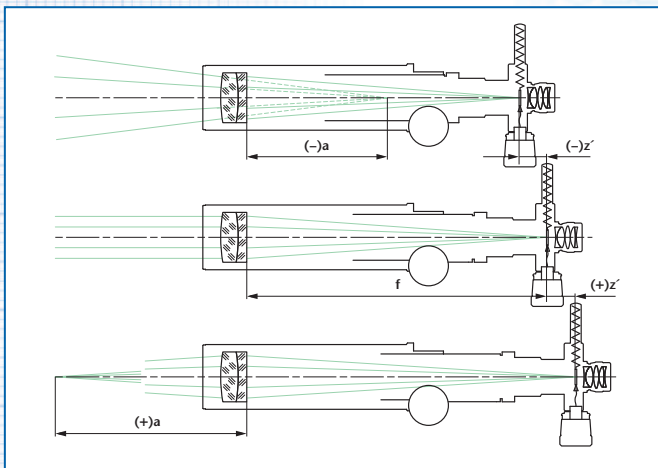
TESTING TELESCOPES

FOCUS ADJUSTABLE – STRAIGHT VIEWING WITH DOUBLE

Description:

For a general description of the operating principle of testing telescopes see page 20.

An adjustable focus telescope with mechanical double micrometer allows the distance between reticle and telescope objective to be adjusted for measurements made at other than infinity. Additionally, infinity can be set for different wavelengths of light. The scale division (SD) of the micrometer drums is $5 \mu\text{m}$.



Notes on ordering:

- Telescope eyepiece is commonly $f=14,7 \text{ mm}$ but can be equipped with eyepieces $f=25 \text{ mm}$ or $f=10 \text{ mm}$ on request.
- One reticle and one eyepiece are included in the instrument.
- The nomenclature of the focus adjustable testing telescopes with straight viewing and mechanical double micrometer is as follows:

Example: F G V 90/ 40/ 14,7 ± 6 MD

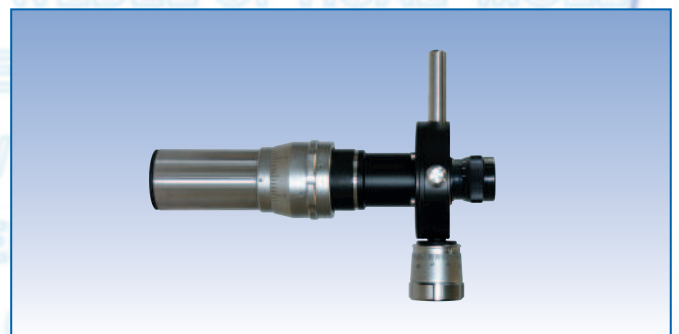
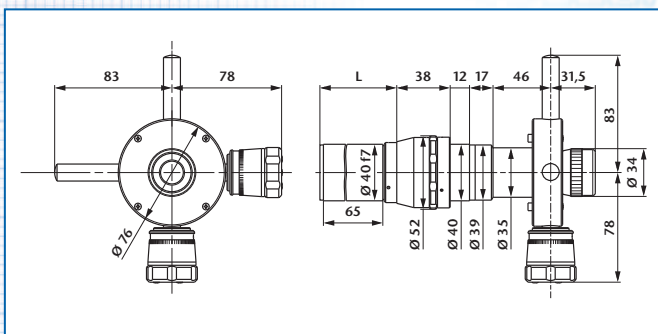
- Testing telescope
- Straight viewing
- Variable
- Focal length
- Tube diameter
- Eyepiece focal length
- Tube extension in mm
- Double micrometer

Important:

Please specify reticle (see page 82) when ordering.

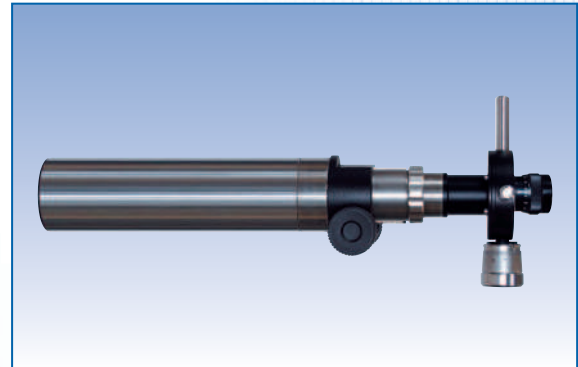
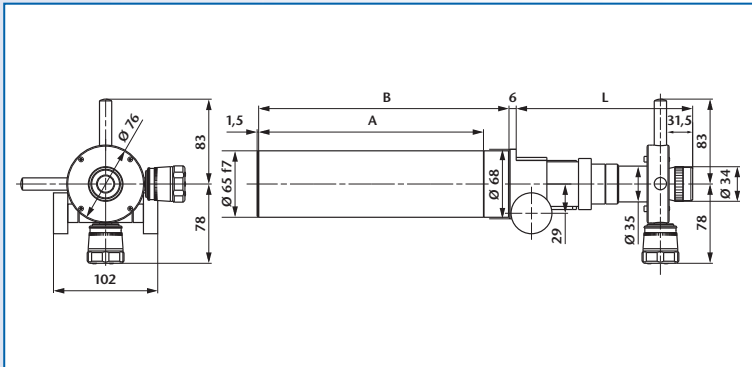
Application examples:

- Adjustment of optical and mechanical systems
- Qualitative testing of image quality of optical elements and systems (additional collimator required)
- Testing at different wavelengths of light
- Measurement of deflection angles (add. collimator required)

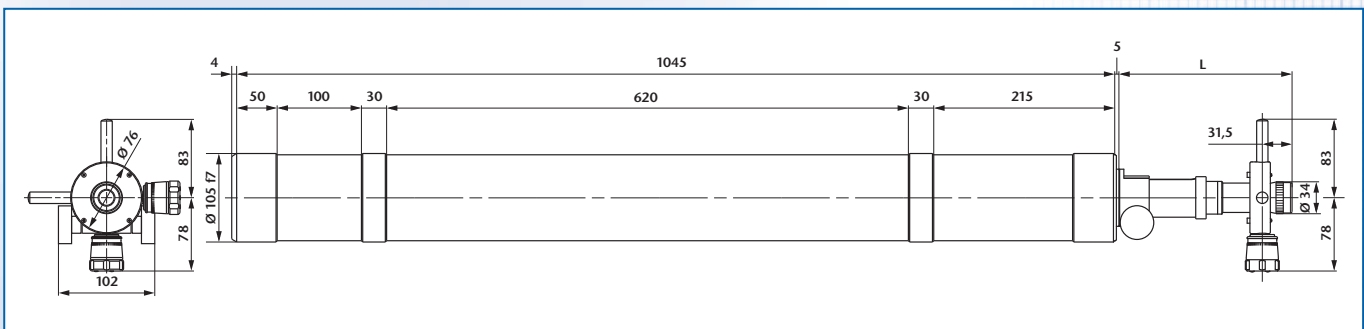
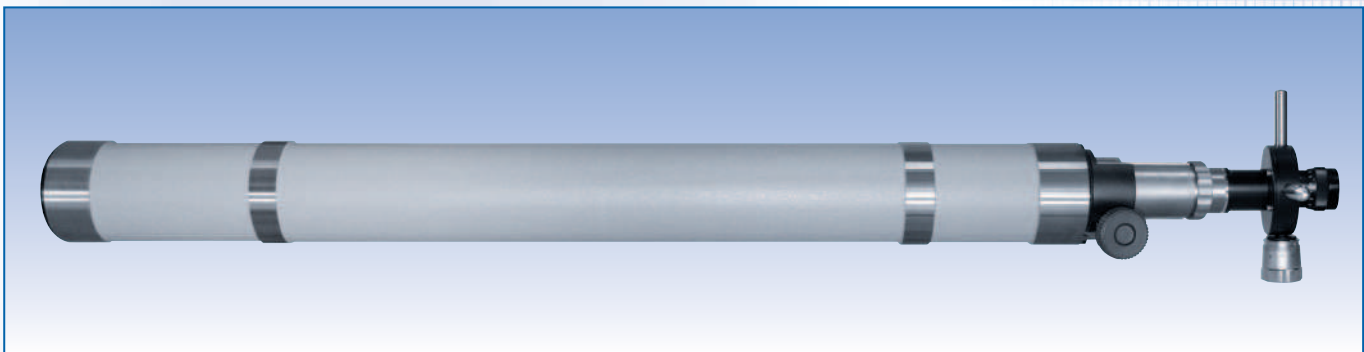


Ord.-No.	Description	Focal length	Free aperture	Tube extension	Meas. range	SD	Distance range	L
227 661	FGV 90/40/14,7/ ± 6 MD	90	16	± 6	$2,0^\circ$	11,5"	$-\infty \dots -1,25 \text{ m}$ 1,40 m... $+\infty$	77 ± 6
227 662	FGV 90/40/14,7/+12 MD	90	16	+12	$2,0^\circ$	11,5"	0,80 m... $+\infty$	71 $^{+12}$
227 663	FGV 90/40/14,7/-12 MD	90	16	-12	$2,0^\circ$	11,5"	$-\infty \dots -0,60 \text{ m}$	83 $^{-12}$
227 664	FGV 140/40/14,7/ ± 6 MD	140	28	± 6	$1,2^\circ$	7,5"	$-\infty \dots -3,10 \text{ m}$ 3,30 m... $+\infty$	77 ± 6
227 665	FGV 140/40/14,7/+12 MD	140	28	+12	$1,2^\circ$	7,5"	1,70 m... $+\infty$	71 $^{+12}$
227 666	FGV 140/40/14,7/-12 MD	140	28	-12	$1,2^\circ$	7,5"	$-\infty \dots -1,40 \text{ m}$	83 $^{-12}$

MICROMETER



Ord.-No.	Description	Focal length	Free aperture	Tube extension	Meas. range	SD	Distance range	A	B	L
227 667	FGV 300/65/14,7/±25 MD	300	50	±25	0,6°	3,5"	-∞...-3,4 m 3,8 m...+∞	220	245	173±25
227 668	FGV 300/65/14,7/+50 MD	300	50	+50	0,6°	3,5"	2,1 m...+∞	220	270	148 ⁺⁵⁰
227 669	FGV 300/65/14,7/-50 MD	300	50	-50	0,6°	3,5"	-∞...-1,5 m	220	220	198 ⁻⁵⁰
227 670	FGV 500/65/14,7/±50 MD	500	50	±50	0,4°	2,0"	-∞...-4,5 m 5,4 m...+∞	310	360	198±50
227 671	FGV 500/65/14,7/+100 MD	500	50	+100	0,4°	2,0"	3,0 m...+∞	310	410	148 ⁺¹⁰⁰
227 672	FGV 500/65/14,7/-100 MD	500	50	-100	0,4°	2,0"	-∞...-1,5 m	310	310	248 ⁻¹⁰⁰



Ord.-No.	Description	Focal length	Free aperture	Tube extension	Meas. range	SD	Distance range	L
227 676	FGV 1100/105/±50 MD	1100	80	±50	0,16°	1,0"	-∞...-23,70 m 25,80 m...+∞	202±50
227 677	FGV 1100/105/+100 MD	1100	80	+100	0,16°	1,0"	13,20 m...+∞	202 ⁺¹⁰⁰
227 678	FGV 1100/105/-100 MD	1100	80	-100	0,16°	1,0"	-∞...-12,00 m	202 ⁻¹⁰⁰