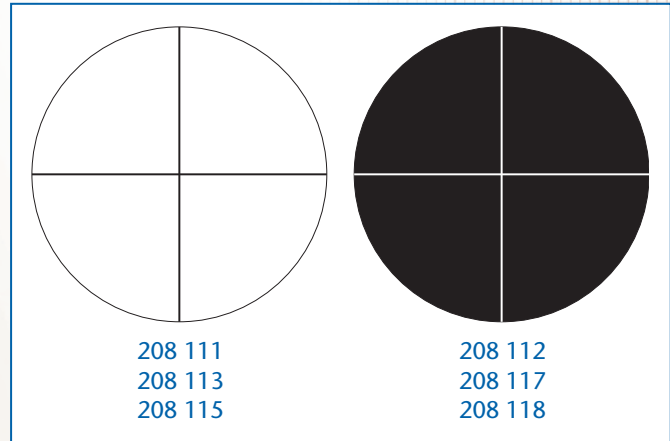


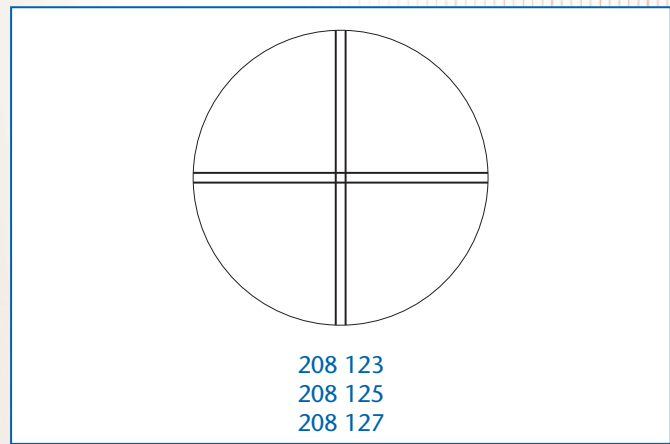
## CROSSLINE RETICLES

| Ord.-No. | Description                       | Line width |
|----------|-----------------------------------|------------|
| 208 111  | Crossline reticle 0,010           | 0,010      |
| 208 112  | Crossline reticle, negative 0,010 | 0,010      |
| 208 113  | Crossline reticle 0,020           | 0,020      |
| 208 115  | Crossline reticle 0,040           | 0,040      |
| 208 117  | Crossline reticle, negative 0,060 | 0,060      |
| 208 118  | Crossline reticle, negative 0,35  | 0,35       |



## DOUBLE CROSSLINE RETICLES

| Ord.-No. | Description                    | Line spacing |
|----------|--------------------------------|--------------|
| 208 123  | Double crossline reticle 0,020 | 0,02         |
| 208 125  | Double crossline reticle 0,040 | 0,04         |
| 208 127  | Double crossline reticle 0,060 | 0,06         |



## TOLERANCE RETICLES

| Ord.-No. | Description  | For instrument |
|----------|--|----------------|
| 208 502  | Tolerance reticle with cross                                 | K 90           |
| 208 503  | Tolerance reticle with coordinate graduation $\pm 2,5^\circ$ | K 90           |
| 208 506  | Tolerance reticle with coordinate graduation $\pm 2,5^\circ$ | K 90           |

