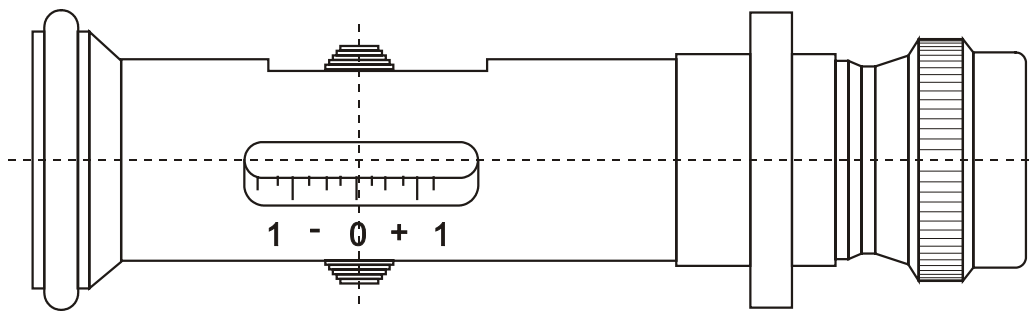


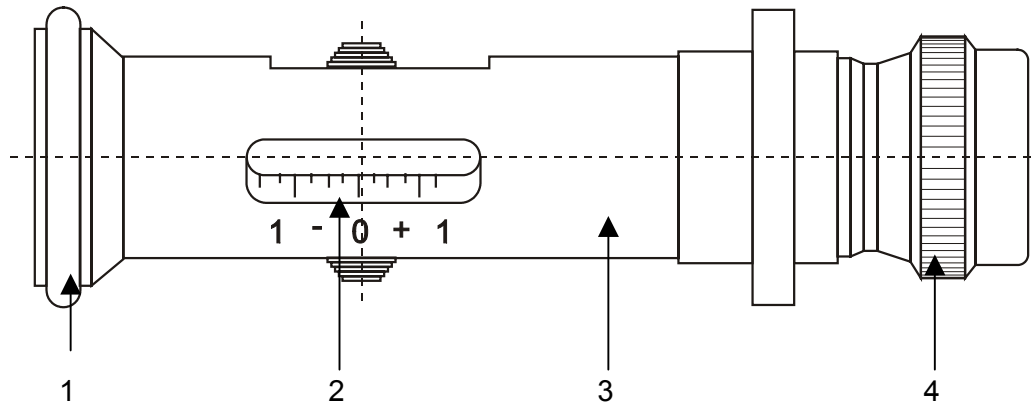
# Operation manual

## Diopter Telescope $\pm 1,5$ diopter



## GENERAL

Diopter telescopes serve to test and determine the zero setting of telescope eyepieces as well as to set images to be formed in the focal plane of an optical system. They can be used as reading microscopes with a range between infinity and approx. 500 mm, too.



The diopter telescope consists of the telescope tube (3) incl. supporting flange (1), the objective extendable in the tube (2), and the eyepiece incl. the reticle (4). The location of the objective can be read off the diopter division on the tube.

Setting range:  $\pm 1,5$  diopter  
Sub-divisions: 0,25 diopter

## OPERATION INSTRUCTIONS

### 1. Setting of the eyepieces.

Set the diopter division of the eyepiece to zero. Place the diopter telescope with its supporting flange on the eyecup of the specimen. Set the eyepiece of the specimen to a position where both reticles of the specimen and of the diopter telescope appear highly defined. With fixed eyepieces, set the objective of the diopter telescope to the corresponding value on the diopter division in the case that the eyepiece-setting has to differ from zero (for instance -0,5 diopter).

### 2. Testing of eyepieces

Set eyepiece of the specimen to zero. Place the diopter telescope on the eyepiece cup of the specimen. Move objective of the diopter telescope so that both reticles of specimen and of the diopter telescope appear highly defined. The true setting of the eyepiece of the specimen can be read off the diopter division.

### 3. Setting of objects (reticles) to be imaged in the focal plane of an optical system

Illuminate the object. Set diopter telescope to zero diopter's and place the telescope in front of the specimen. Move the illuminated object along the optical axis so that both its image and the diopter telescope reticle appear highly defined.

Image angle:  $6^\circ$   
Magnification: 6x  
Overall length: approx. 150 mm  
Net weight: approx. 180 grams  
Weight with case: approx. 400 grams  
Purchase order no.: 233 202